

The WC6 Series provide precision measurement for sub-metering, controls and energy management without interrupting the power line. Ergonomically designed with secure latches and tampered proof holes, this CT has the largest ID of WC Series making suitable for high load applications.



FEATURES

- 2.0" x 5.5" window opening (ID)
- Secure latches and anti-tampering holes
- Built-in tabs for easy removal and installation
- Rigid housing case with UL 94V-0 durable plastic
- Ergonomically designed with no exposed metals
- 8-32 screws/lock washers (TYPE A)
- Pigtail black/white wire leads (TYPE B)

APPLICATIONS

- Energy and sub-metering products
- Electrical load monitoring
- Network equipment
- Instruments and sensors
- Control systems
- Go GREEN initiatives

SPECIFICATIONS*

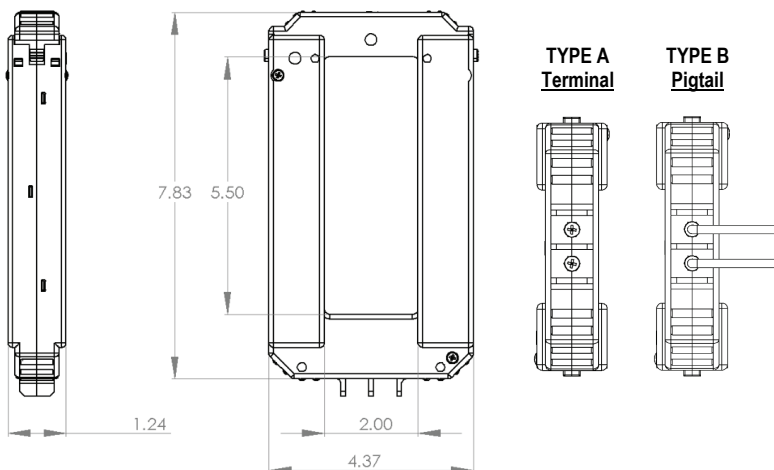
- Standard Input Current 300A-2000A
- Frequency 50Hz — 400Hz
- Custom design Turn-Ratios available
- Standard accuracy 1.0
- Approximate weight 2.2Lbs
- Clamping voltage on selected models
- ANSI C57.13 Standard

*Specifications subject to change without notice

STANDARD PART-NUMBERS

WATTCORE P/N	INPUT RATING	AVAILABLE OUTPUTS (XXXX)
WC6-600-XXXX	600A	CURRENT OUTPUTS @ 20mA, 100mA, 1A and 5A VOLTAGE OUTPUTS @ 250mV, 333mV, 500mV, 1V and 2V
WC6-800-XXXX	800A	
WC6-1200-XXXX	1200A	
WC6-1600-XXXX	1600A	
WC6-2000-XXXX	2000A	

DIMENSIONS (Inches)



CAUTION

Before installation, safety precautions must be followed by licensed professional. Never energize primary unless short circuited terminals or burden connected to secondary.



Copyright © 2012 WATTCORE LLC