

The WC5 Series provide precision measurement for sub-metering, controls and energy management without interrupting the power line. Ergonomically designed with secure latches and tampered proof holes, this CT handles medium to high load while retaining compact size.



FEATURES

- 2.0" x 3.5" window opening (ID)
- Secure latches and anti-tampering holes
- Built-in tabs for easy removal and installation
- Rigid housing case with UL 94V-0 durable plastic
- Ergonomically designed with no exposed metals
- 8-32 screws/lock washers (Type A)
- Pigtail black/white wire leads (Type B)

APPLICATIONS

- Energy and sub-metering products
- Electrical load monitoring
- Network equipment
- Instruments and sensors
- Control systems
- Go GREEN initiatives

SPECIFICATIONS*

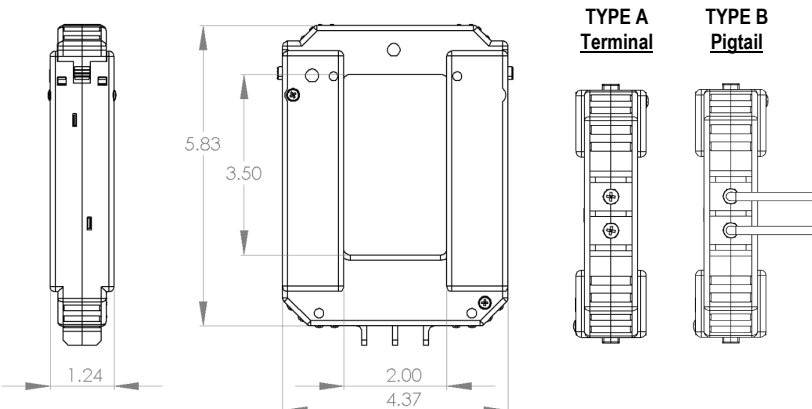
- Standard Input Current 200A-1000A
- Frequency 50Hz — 400Hz
- Custom design Turn-Ratios available
- Standard accuracy 0.5 (By models)
- Approximate weight 1.7Lbs
- Clamping voltage on selected models
- ANSI C57.13 Standard

*Specifications subject to change without notice

STANDARD PART-NUMBERS

| WATTCORE P/N | INPUT RATING | AVAILABLE OUTPUTS (XXXX) |
|---------------|--------------|---------------------------------------------------------------------------------------------------------|
| WC5-200-XXXX | 200A | <p>CURRENT OUTPUTS @ 20mA, 100mA, 1A and 5A</p> <p>VOLTAGE OUTPUTS @ 250mV, 333mV, 500mV, 1V and 2V</p> |
| WC5-400-XXXX | 400A | |
| WC5-600-XXXX | 600A | |
| WC5-800-XXXX | 800A | |
| WC5-1000-XXXX | 1000A | |

DIMENSIONS (Inches)



CAUTION

Before installation, safety precautions must be followed by licensed professional. Never energize primary unless short circuited terminals or burden connected to secondary.



Copyright © 2012 WATTCORE LLC