

The WC4 Series provide precision measurement for sub-metering, controls and energy management without interrupting the power line. Ergonomically designed with secure hinge and tapered proof hole, this CT is the most popular series.



FEATURES

- 1.3"x1.7" window opening (ID)
- Secure latch and anti-tampering hole
- Swing open for ease of installation
- Rigid housing case with UL 94V-0 durable plastic
- 6ft black/white twisted pair wire leads— 18AWG
- 3ft black/white wire leads— 14AWG (For 5A models)
- Phoenix style and other terminals (optional)

APPLICATIONS

- Energy and sub-metering products
- Electrical load monitoring
- Network equipment
- Instruments and sensors
- Control systems
- Go GREEN initiatives

SPECIFICATIONS*

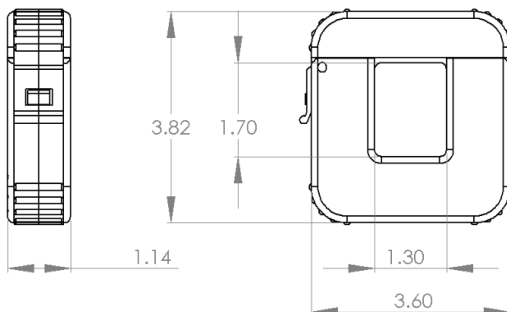
- Standard Input Current 100A-400A
- Frequency 50Hz — 400Hz
- Custom design Turn-Ratios available
- Standard accuracy 0.5 (ANSI C12.20)
- Approximate weight 1.1Lbs
- Clamping voltage on selected models
- ANSI C57.13 Standard

*Specifications subject to change without notice

STANDARD PART-NUMBERS

WATTCORE P/N	INPUT RATING	AVAILABLE OUTPUTS (XXXX)
WC4-100-XXXX	100A	CURRENT OUTPUTS @ 20mA, 100mA, 1A and 5A VOLTAGE OUTPUTS @ 250mV, 333mV, 500mV, 1V and 2V
WC4-200-XXXX	200A	
WC4-300-XXXX	300A	
WC4-400-XXXX	400A	

DIMENSIONS (Inches)



CAUTION

Before installation, safety precautions must be followed by licensed professional. Never energize primary unless short circuited terminals or burden connected to secondary.



Copyright © 2012 WATTCORE LLC