

CURRENT TRANSFORMERS

Window Diameter 2.0"

Model: RT2020

Fully encapsulated.
Indoor/outdoor applications.

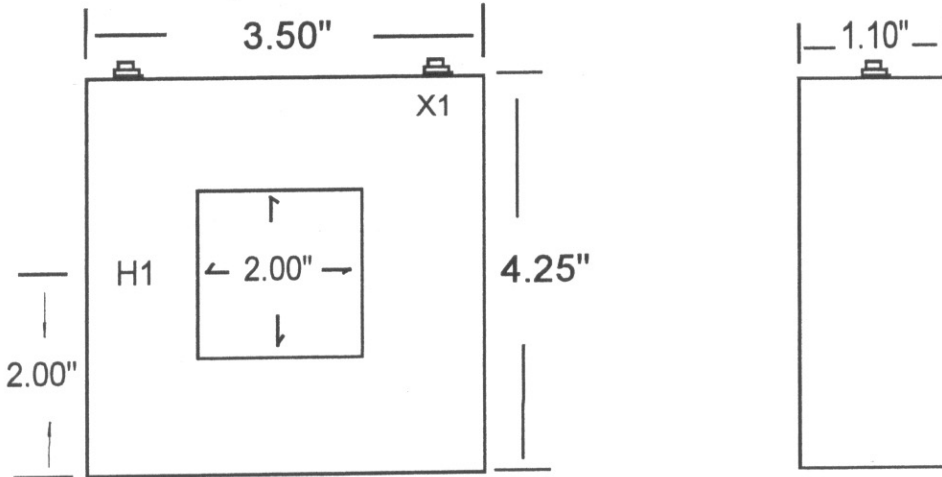
Standard 1-amp secondary.
Others available.

APPLICATION:

Ammeters, Watthour Meters, Wattmeters, Relays.

CONTINUOUS THERMAL RATING:
1.33 at 30 C. amb.; 1.0 at 55 C. amb., Average.

INSULATION CLASS: 50-400 Hz.
0.6 kV. BIL 10kV. full wave.



Model: RT2020-**

CATALOG NUMBER	CURRENT RATIO AMPERES	V.A. FOR +- 1% CLASS	ANSI METERING CLASS AT 60Hz			
			BO.1	BO.2	BO.5	BO.9
**_100	100:1	1.2	2.4	-	-	-
**_150	150:1	2.5	1.2	2.4	-	-
**_200	200:1	5.0	0.6	1.2	-	-
**_250	250:1	7.5	0.6	1.2	1.2	-
**_300	300:1	10.0	0.6	0.6	1.2	2.4
**_400	400:1	15.0	0.3	0.3	0.6	1.2
**_500	500:1	25.0	0.3	0.3	0.6	1.2
**_600	600:1	25.0	0.3	0.3	0.6	0.6
**_750	750:1	30.0	0.3	0.3	0.6	0.6
**_800	800:1	30.0	0.3	0.3	0.6	0.6
**_1000	1000:1	35.0	0.3	0.3	0.3	0.6
**_1200	1200:1	40.0	0.3	0.3	0.3	0.3
**_1500	1500:1	40.0	0.3	0.3	0.3	0.3
**_1600	1600:1	50.0	0.3	0.3	0.3	0.3

• Terminals are brass No. 10-32 UNC with one flatwasher and lockwasher.

• Approximate weight 1 lbs.

• Additional ratios available.

** Distributed By: MetersUSA
www.MetersUSA.com
Meters@MetersUSA.com
1 224 365 5935