

POTENTIAL TRANSFORMERS

Model: PT750

FREQUENCY: 60 Hz & 50 Hz

STANDARD SECONDARY
VOLTAGE: 120 Volts

ACCURACY CLASS:

0.3 W., X., M., Y. & 1.2 Z. at 60 Hz.

THERMAL RATING:

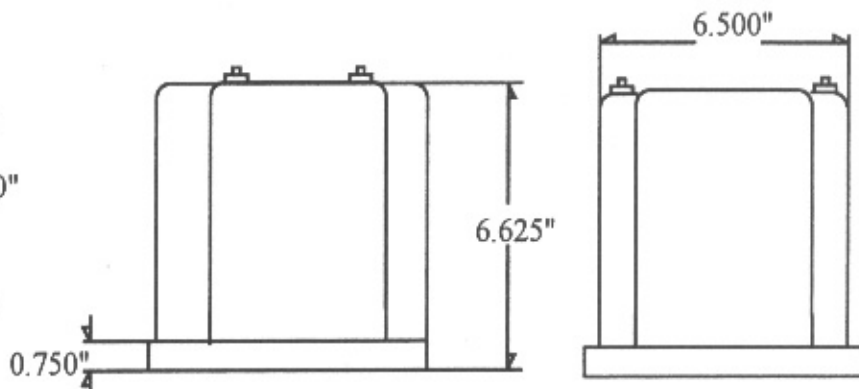
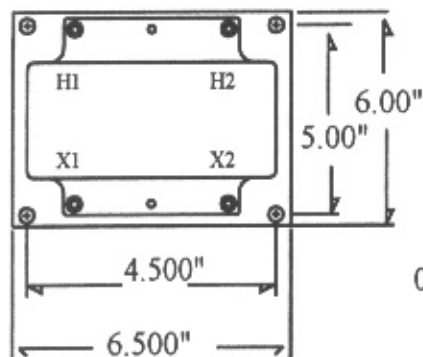
750 VA at 30 C. amb., 500 VA at 55 C. amb.

INSULATION CLASS

0.6 kV, 10 kV. BIL full wave.



(4) HOLES
0.512 DIA.



Model: PT750-**

- Terminals are brass No. 10-32.
- It is desirable to use a 8.0 amp fuse in the secondary to protect the transformer.
- The model PT750-3.17 is designed specifically for 50 Hz operation at 66% reduce load. All other ratios are designed for 60 Hz operation.
- Optional terminal cover available.

Distributed By:

MetersUSA Inc.

Meters@MetersUSA.com

www.MetersUSA.com

1 224 365- 5935

CATALOG NUMBER	VOLTAGE RATING	TURNS RATIO
**0.58	69.4:120	0.58:1
**1	120:120	1:1
**1.73	208:120	1.73:1
**2	240:120	2:1
**2.4	288:120	2.4:1
**2.5	300:120	2.5:1
**4	*480:120	4:1
**5	*600:120	5:1
**3.17	*380:120	3.17:1 for 50Hz

- Transformers are ANSI C57.13 group 1. Those transformers marked with a * are group 2.
Fully encapsulated.
Indoor/outdoor applications.
(Outdoor with optional boot)
Approximate weight 25.0 lbs.