

POTENTIAL TRANSFORMERS

Model PT295

FREQUENCY: 60 Hz & 50 Hz

STANDARD SECONDARY
VOLTAGE: 120 Volts

ACCURACY CLASS:

0.3 W., 0.6 X, 1.2 M at 60 Hz.

THERMAL RATING:

300 VA at 30 C. amb., 200 VA at 55 C. amb.

INSULATION CLASS

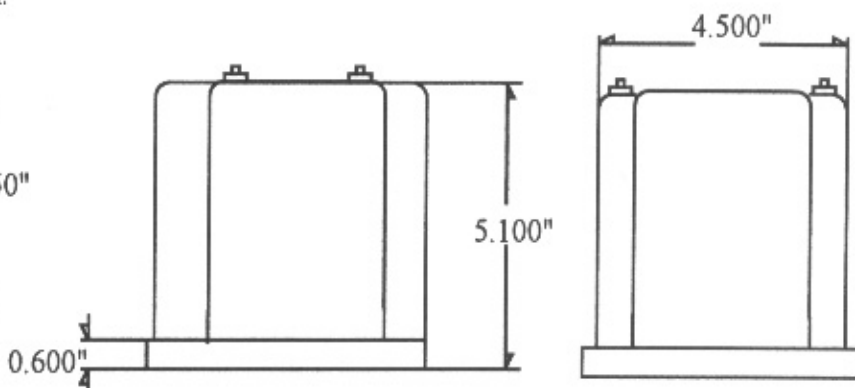
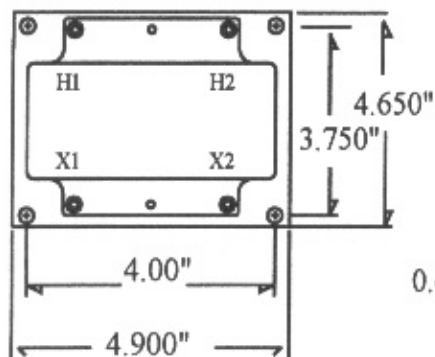
0.6 kV, 10 kV. BIL full wave.



CSA Optional.



(4) HOLES
0.312 DIA.



MODEL PT295-**

- Terminals are brass No. 10-32.
- It is desirable to use a 1.5 amp fuse in the secondary to protect the transformer.
- The model PT295-3.17 is designed specifically for 50 Hz operation at 66% reduce load. All other ratios are designed for 60 Hz operation.

• Distributed By:

MetersUSA Inc.

Meters@MetersUSA.com

www.MetersUSA.com

1 224 365- 5935

| CATALOG NUMBER | VOLTAGE RATING | TURNS RATIO |
|----------------|----------------|-----------------|
| **0.58 | 69.4:120 | 0.58:1 |
| **1 | 120:120 | 1:1 |
| **1.73 | 208:120 | 1.73:1 |
| **2 | 240:120 | 2:1 |
| **2.4 | 288:120 | 2.4:1 |
| **2.5 | 300:120 | 2.5:1 |
| **4 | *480:120 | 4:1 |
| **5 | *600:120 | 5:1 |
| **3.17 | *380:120 | 3.17:1 for 50Hz |

- Transformers are ANSI C57.13 group 1.

Those transformers marked with a * are group 2.

Fully encapsulated.

Indoor/outdoor applications.

(Outdoor with optional boot)

Approximate weight 10.0 lbs.