

Specific Breaker Mounting Type Multi Ratio CURRENT TRANSFORMERS

Model: MR6510-
Window diameter 6.50"

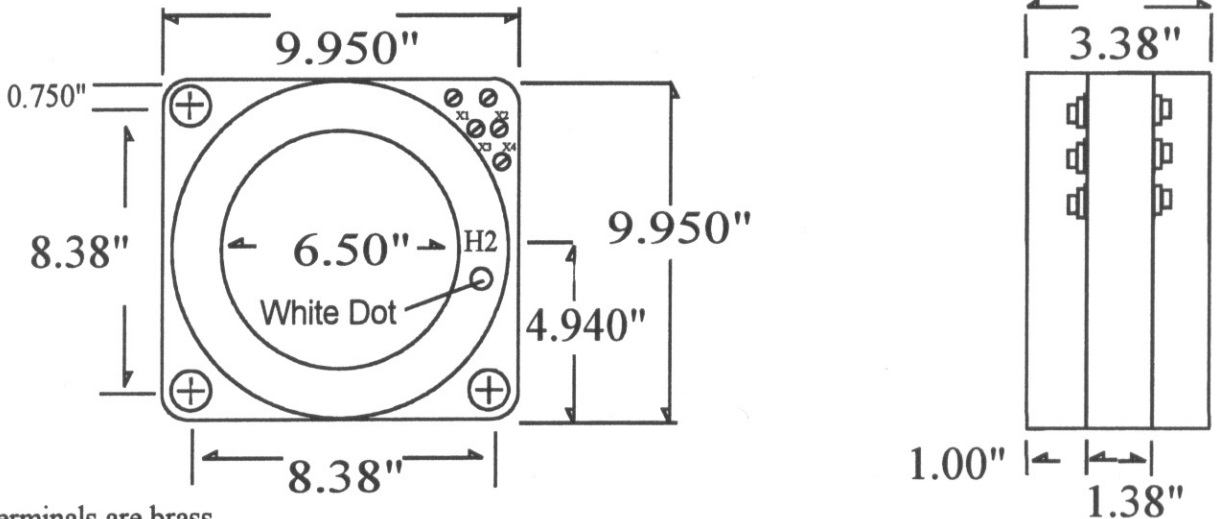
Fully encapsulated.
Indoor/outdoor applications.

Standard 5-amp secondary.
Others available.

APPLICATION:
For Metering and Relays.

CONTINUOUS THERMAL RATING:
1.33 at 30 C. amb.; 1.0 at 55 C. amb., Average.

INSULATION CLASS:
0.6 kV. BIL 10kV. full wave. 50-400 Hz.



- Terminals are brass No. 10-32 UNC with one flatwasher and lockwasher accessible from either side.

- (3) Mounting holes 0.560" Diameter.

- Approximate weight 33 lbs.

NOTE: 50:5 - 1200:5, Rf=2.0@ 30C. amb.
1500:5 - 4000:5, Rf=1.33@ 30C. amb.
5000:5 - 8000:5, Rf=1.00@ 30C. amb.
8000:5, Rf=0.75@ 30C. amb.

CATALOG NUMBER	CURRENT RATIO	RELAY CLASS	ANSI METERING CLASS AT 60 Hz				
			B0.1	B0.2	B0.5	B0.9	B1.8
**_600	600:5	C100	0.3	0.3	0.3	0.6	0.6
**_1200	1200:5	C200	0.3	0.3	0.3	0.3	0.3
**_2000	2000:5	C200	0.3	0.3	0.3	0.3	0.3
**_3000	3000:5	C200	0.3	0.3	0.3	0.3	0.3
**_4000	4000:5	C200	0.3	0.3	0.3	0.3	0.3
**_5000	5000:5	C200	0.3	0.3	0.3	0.3	0.3

600:5

1200:5

2000:5

3000:5

4000:5

5000:5

CURRENT RATIO	TAP	CURRENT RATIO	TAP	CURRENT RATIO	TAP	CURRENT RATIO	TAP	CURRENT RATIO	TAP	CURRENT RATIO	TAP
50:5	X2-X3	100:5	X2-X3	300:5	X3-X4	300:5	X3-X4	500:5	X1-X2	500:5	X2-X3
100:5	X1-X2	200:5	X1-X2	400:5	X1-X2	500:5	X4-X5	1000:5	X3-X4	1000:5	X4-X5
150:5	X1-X3	300:5	X1-X3	500:5	X4-X5	800:5	X3-X5	1500:5	X2-X3	1500:5	X1-X2
200:5	X4-X5	400:5	X4-X5	800:5	X2-X3	1000:5	X1-X2	2000:5	X1-X3	2000:5	X3-X4
250:5	X3-X4	500:5	X3-X4	1100:5	X2-X4	1200:5	X2-X3	2500:5	X2-X4	2500:5	X2-X4
300:5	X2-X4	600:5	X2-X4	1200:5	X1-X3	1500:5	X2-X4	3000:5	X1-X4	3000:5	X3-X5
400:5	X1-X4	800:5	X1-X4	1500:5	X1-X4	2000:5	X2-X5	3500:5	X2-X5	3500:5	X2-X5
450:5	X3-X5	900:5	X3-X5	1600:5	X2-X5	2200:5	X1-X3	4000:5	X1-X5	4000:5	X1-X4
500:5	X2-X5	1000:5	X2-X5	2000:5	X1-X5	2500:5	X1-X4			5000:5	X1-X5
600:5	X1-X5	1200:5	X1-X5			3000:5	X1-X5				