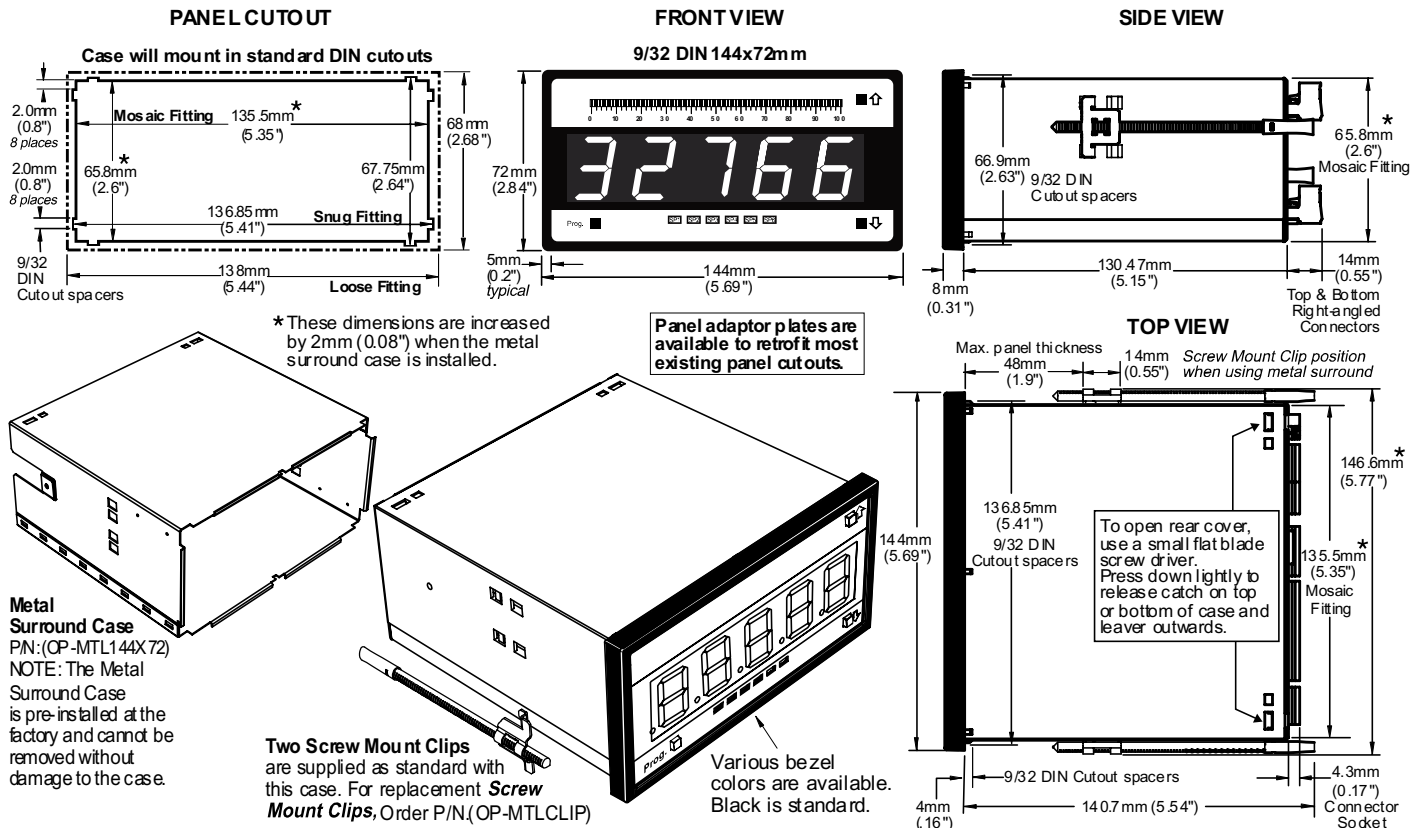
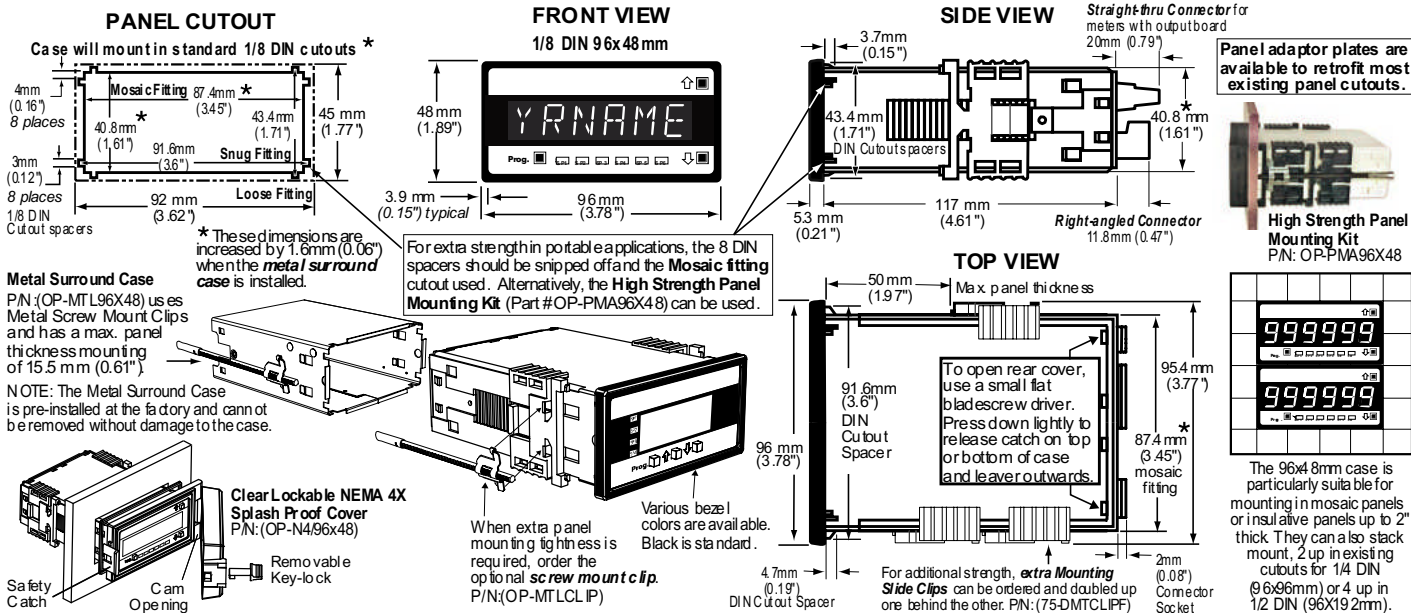


9/32 DIN 144x72 mm (5.69"x2.84") Case Dimensions and Panel Cutouts



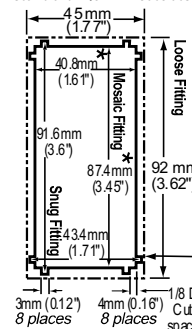
1/8 DIN 96x48 mm (3.78"x1.89") Case Dimensions and Panel Cutouts



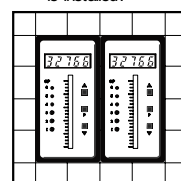
1/8 DIN 48x96 mm (1.89"x3.78") Case Dimensions and Panel Cutouts

PANEL CUTOUT

Case will mount in standard 1/8 DIN cutouts

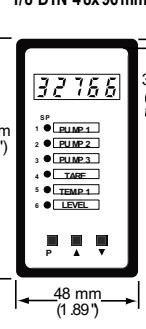


*These dimensions are increased by 1.6mm (0.06") when the metal surround case is installed.



FRONT VIEW

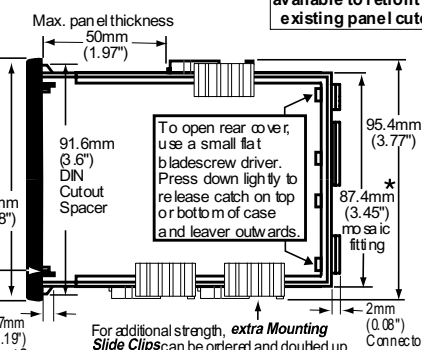
1/8 DIN 48x96 mm



For extra strength in portable applications, the 8 DIN spaces should be snipped off and the Mosaic fitting cut out used. Alternatively, the High Strength Panel Mounting Kit (Pat # OP-PMA96X48) can be used.

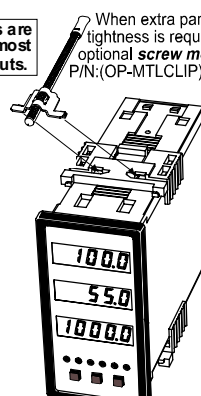
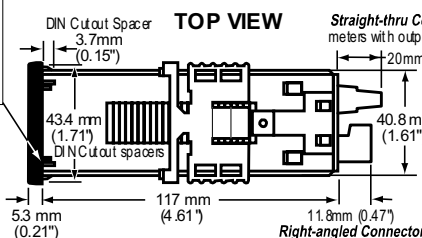
The 96x48mm case is particularly suitable for mounting in mosaic panels or insulative panels up to 2" thick. They can also stack mount, 2 up in existing cutouts for 1/4 DIN (96x96mm) or 4 up in 1/2 DIN (96x192mm).

SIDE VIEW



Panel adaptor plates are available to retrofit most existing panel cutouts.

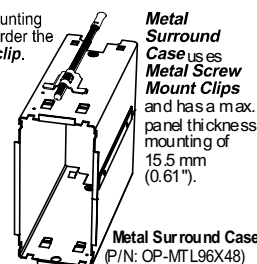
TOP VIEW



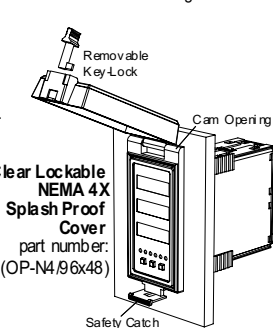
When extra panel mounting tightness is required, order the optional screw mount clip. P/N: (OP-MTLCLIP)



Various bezel colors are available. Black is standard.



Metal Surround Case uses Metal Screw Mount Clips and has a max. panel thickness mounting of 15.5 mm (0.61").

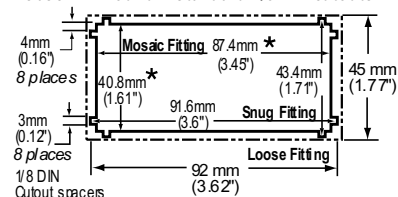


Clear Lockable NEMA 4X Splash Proof Cover part number: (OP-N4,96x48)

1/8 DIN 96x48mm (3.78"x1.89") Short Depth Case Dimensions and Panel Cutouts

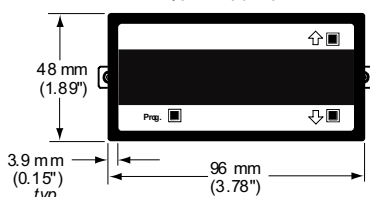
PANEL CUTOUT

Case will mount in standard 1/8 DIN cutouts



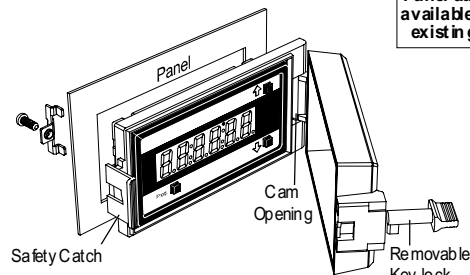
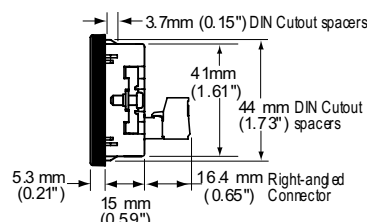
FRONT VIEW

1/8 DIN 96x48 mm

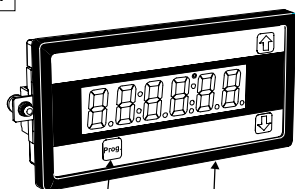


Panel adaptor plates are available to retrofit most existing panel cutouts.

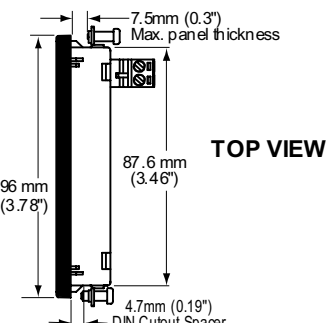
SIDE VIEW



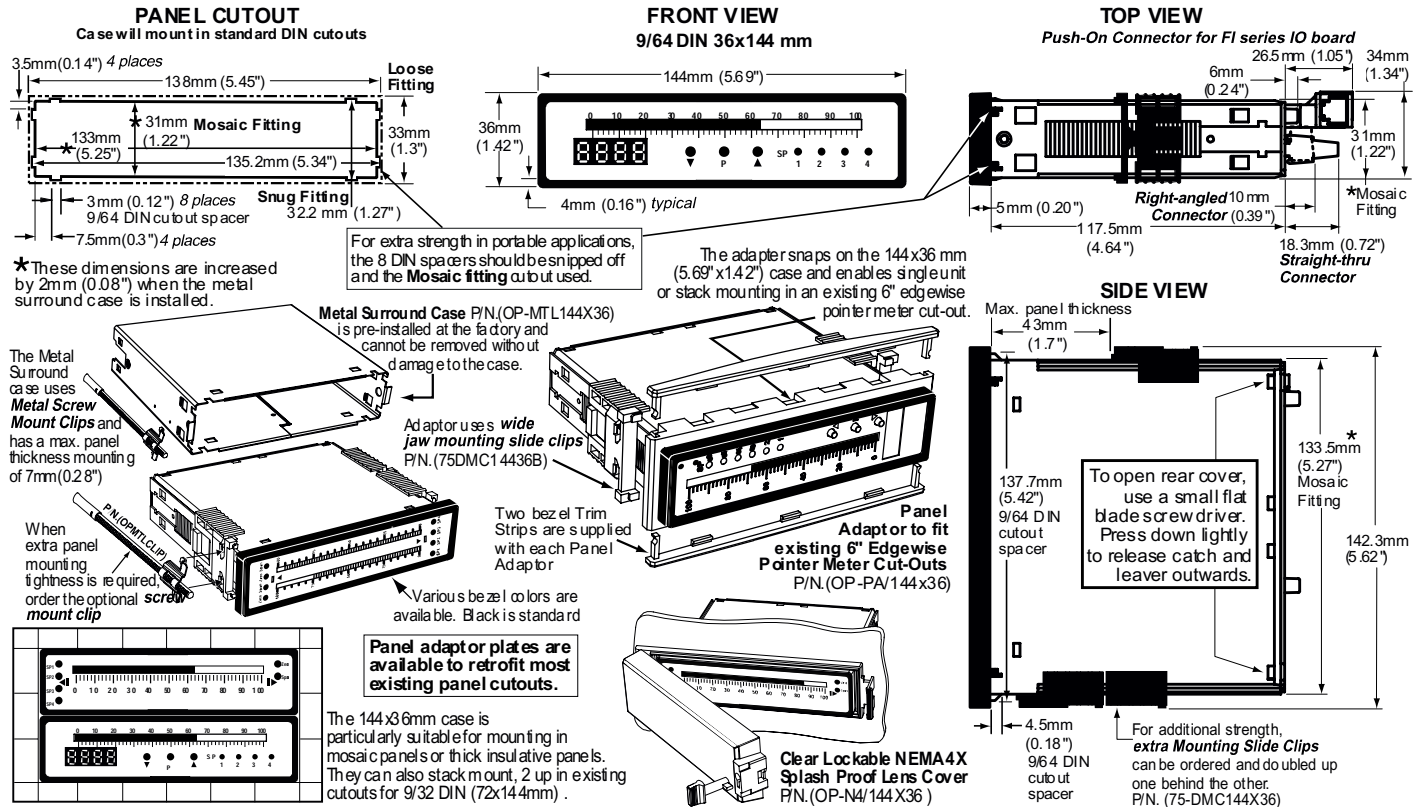
Clear Lockable NEMA 4X Splash Proof Cover P/N: (OP-N4,96x48)



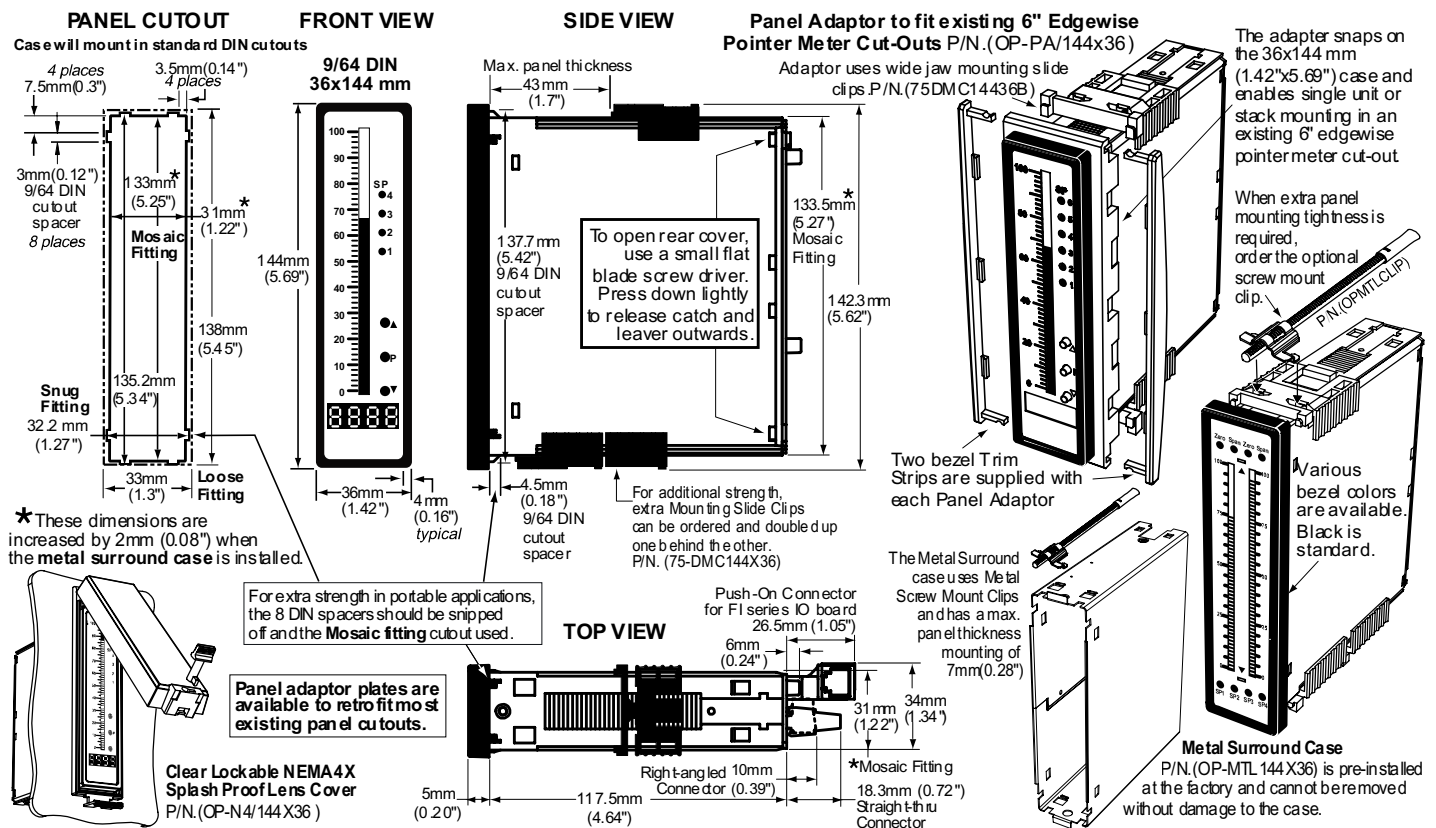
Touch Pad or Push Button Faceplate options. Various bezel colors are available. Black is standard.



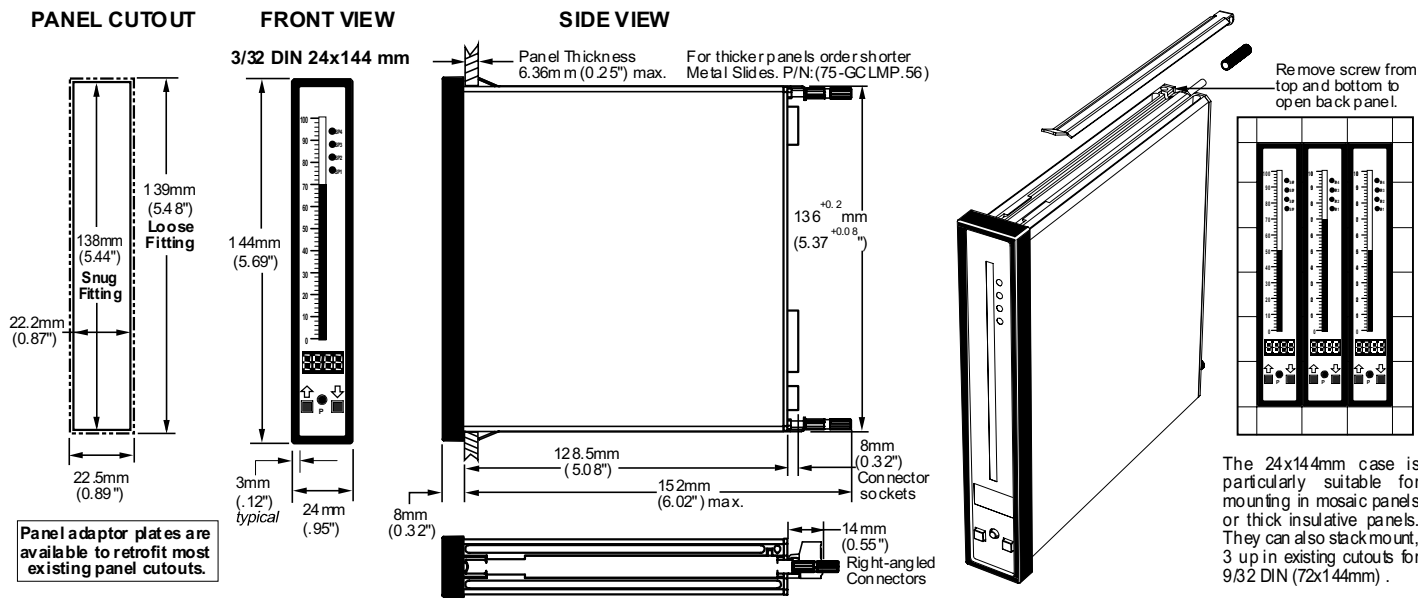
9/64 DIN 144x36 mm (5.69"x1.42") Case Dimensions and Panel Cutouts



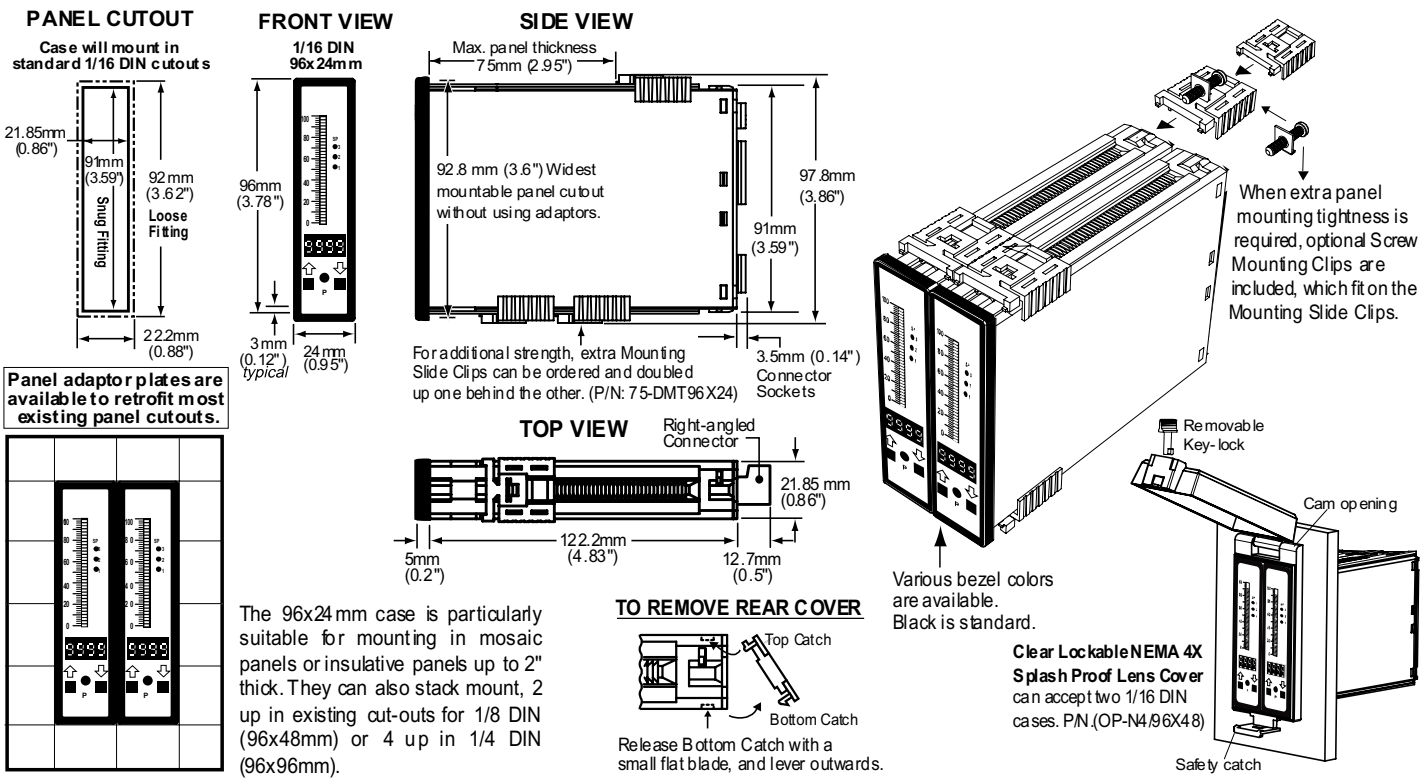
9/64 DIN 36x144 mm (1.42"x5.69") Case Dimensions and Panel Cutouts



3/32 DIN 24x144 mm (0.95"x5.69") Case Dimensions and Panel Cutouts



1/16 DIN 24x96 mm (0.95"x3.78") Case Dimensions and Panel Cutouts



1/16 DIN 96x24 mm (3.78"x0.95") Case Dimensions and Panel Cutouts

PANEL CUTOUT
Case will mount in standard 1/16 DIN cutouts

Snug Fit: 91 mm (3.59") x 21.85 mm (0.86")
Loose Fit: 92 mm (3.62")

FRONT VIEW
1/16 DIN (96x24mm)
24 mm (0.95")
3 mm (0.12") typical
96 mm (3.78")

SIDE VIEW
Right-angled Connector
122.2mm (4.83")
5mm (0.20")
12.7mm (0.5")
21.85mm (0.86")

TO REMOVE REAR COVER
Top Catches
Bottom Catch
Release Bottom Catch with a small flat blade, and lever outwards.

Panel adaptor plates are available to retrofit most existing panel cutouts.

When extra panel mounting tightness is required, optional Screw Mounting Clips are included which fit on the Mounting Slide Clips.

Various bezel colors are available. Black is standard.

Removable Key-Lock
Clear Lockable NEMA 4X Splash Proof Cover can accept two 1/16 DIN cases P/N: (OP-N4)96x48

Safety Catch
Cam Opening

TOP VIEW
74.5 mm (2.94") Max. panel thickness
97.8 mm (3.86")
92.8 mm (3.6") Widest mountable panel cutout without using adaptors.
91 mm (3.59")
3.5 mm (0.14") Connector Sockets

For additional strength, extra Mounting Slide Clips can be ordered and doubled up one behind the other. P/N: (75-DMT96X24)

The 96x24mm case is particularly suitable for mounting in mosaic panels or insulative panels up to 2" thick. They can also stack mount, 2 up in existing cut-outs for 1/8 DIN (96x48mm) or 4 up in 1/4 DIN (96x96mm).

1/16 DIN 96x24 mm (3.78"x0.95") Short Depth Case Dimensions and Panel Cutouts

PANEL CUTOUT
Case will mount in standard 1/16 DIN cutouts

Snug Fit: 91 mm (3.59") x 21.85 mm (0.86")
Loose Fit: 92 mm (3.62")

FRONT VIEW
1/16 DIN (96x24mm)
24 mm (0.95")
3 mm (0.12") typical
96 mm (3.78")

SIDE VIEW
5.4 mm (0.21")
17.5mm (0.69")
56.5mm (2.23")
27 mm (1.06")
5mm (0.20")
21.85 mm (0.86")
Edge Connector P/N: (CN-L15)
Push-On Connector P/N: (CN/PUSH/BN)

TO REMOVE REAR COVER
Top Catches
Bottom Catch
Release Bottom Catch with a small flat blade, and lever outwards.

Panel adaptor plates are available to retrofit most existing panel cutouts.

For additional strength, extra Mounting Slide Clips can be ordered and doubled up one behind the other. P/N: (75-DMT96X24)

When extra panel mounting tightness is required, optional Screw Mounting Clips are included which fit on the Mounting Slide Clips.

Various bezel colors are available. Black is standard.

TOP VIEW
25.4 mm (3.78") Max. panel thickness
96 mm (3.78")
97.8 mm (3.86")
92.8 mm (3.6") Widest mountable panel cutout without using adaptors.
91 mm (3.59")

The 96x24mm case is particularly suitable for mounting in mosaic panels or insulative panels. They can also stack mount, 2 up in existing cut-outs for 1/8 DIN (96x48mm) or 4 up in 1/4 DIN (96x96mm).

1/32 DIN 48x24 mm (1.89"x0.95") Case Dimensions and Panel Cutouts

PANEL CUTOUT
Case will mount in standard 1/32 DIN cutouts

Snug Fitting: 43 mm (1.7") x 18.2 mm (0.72")
Loose Fitting: 45 mm (1.77")

FRONT VIEW
1/32 DIN 48x24mm
24 mm (0.95")
3 mm (0.12") typical
48 mm (1.89")

SIDE VIEW
flexible panel cutout centering tabs
Right-angled (0.63") Connector for 16mm other MU products
5mm (0.2")
81 mm (3.2")
18.2 mm (0.72")
11.5 mm Right-angled Connector (0.45") for MU-35, MU-35MV and MU-35CL

TO REMOVE REAR COVER
Top Catches
Bottom Catch
Release Bottom Catch with a small flat blade, and lever outwards.

Panel adaptor plates are available to retrofit most existing panel cutouts.

When extra panel mounting tightness is required, optional Screw Mounting Clips are included which fit on the Mounting Slide Clips.

Various bezel colors are available. Black is standard.

Meter is removed from the front of the case after removing Bezel, Protective Plate and Filter.

Connector socket for other MU products 2mm (0.08")
43 mm (1.7")
47.9 mm (1.89")
2 mm (0.08") Connector socket for MU-35, MU-35MV and MU-35CL
P/N: (75-MUMTBRKT)

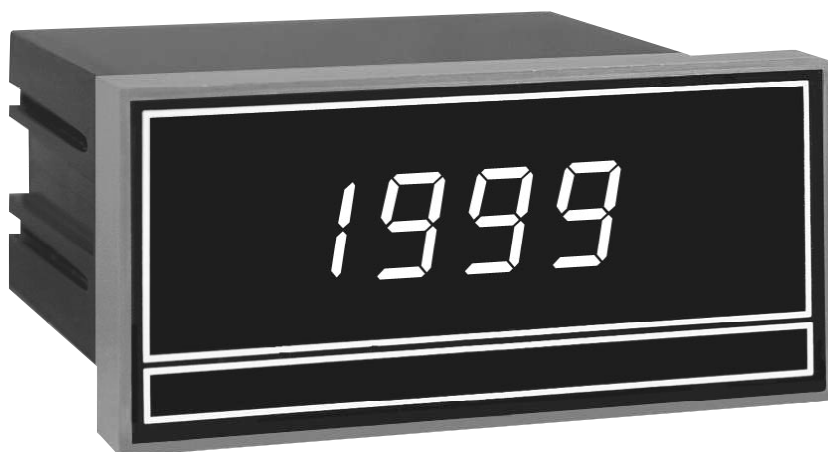
For additional strength, extra Mounting Slide Clips can be ordered and doubled up one behind the other. P/N: (75-MUMTBRKT)

The 48x24mm case is particularly suitable for mounting in mosaic panels or insulative panels up to 2" thick. They can also stack mount, 2 up in existing cutouts for 1/16 DIN (48x48mm) or 4 up in 1/8 DIN (48x96mm).

Meters by the Case (shown at close to actual size)

▶ **Other Popular Case Sizes**

▶ **NEMA Standard Case**



Case Dimensions See page 22 for details

- Bezel: 4.06"x1.89" (102.7x47.9 mm)
- Depth behind bezel: 3.34" (84.6 mm)
- Plus 0.77" (19.4 mm) for Edge connectors

Panel Cutout

- Loose Fitting: 3.84"x1.78" (97.5x45 mm)
- Snug Fitting: 3.58"x1.64" (91x41.6 mm)

Products that use this case: RP-Series, and UM-Series

▶ **Slim Bezel Case**



Case Dimensions See page 22 for details

- Bezel: 2.76"x1.17" (70x29.7 mm)
- Depth behind bezel: 3.32" (84 mm)
- Plus 0.55" (14 mm) for TB-Kit connectors
- Plus 0.72" (18.4 mm) for Edge connectors
- Plus 1.11" (28 mm) for Push-On connectors

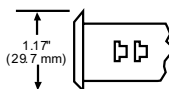
Panel Cutout

- Snug Fitting: 2.52"x0.97" (64x24.6 mm)

Slim Bezel Cases are available in END MOUNT and CENTER MOUNT versions for stack mounting.

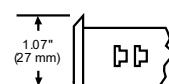


Stack Mounting Cases



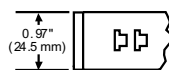
SLIM BEZEL CASE
Standard Black ABS case with matte finish bezel for single unit mounting.

Part No:
SL-CASERED for LED's
SL-CASECLR for LCD's
SL-CASELCD for LCD's



END MOUNT CASE
Same styling as Slim Bezel case but with bottom edge of bezel removed. Two End Mount cases can be twin mounted in a single cutout.

Part No:
EM-CASERED for LED's
EM-CASECLR for LCD's
SL-CASELCD for LCD's



CENTER MOUNT CASE
Any number of Center Mount cases may be fitted between two End Mount cases for multiple arrays.

Part No:
CM-CASERED for LED's
CM-CASECLR for LCD's
CM-CASELCD for LCD's

Products that use this case:

AM-Series, CM-Series, CP-45, PM-Series, SM-Series, SP-Series, TM-Series and PC Series

▶ **Mini-Meter Case**



Case Dimensions See page 22 for details

- Bezel: 1.46"x0.59" (36.8x15 mm)
- Depth behind panel: 1.78" (45 mm)

Panel Cutout

- Loose Fitting: 1.4"x0.54" (35.5x13.7 mm)
- Snug Fitting: 1.38"x0.5" (35x12.6 mm)

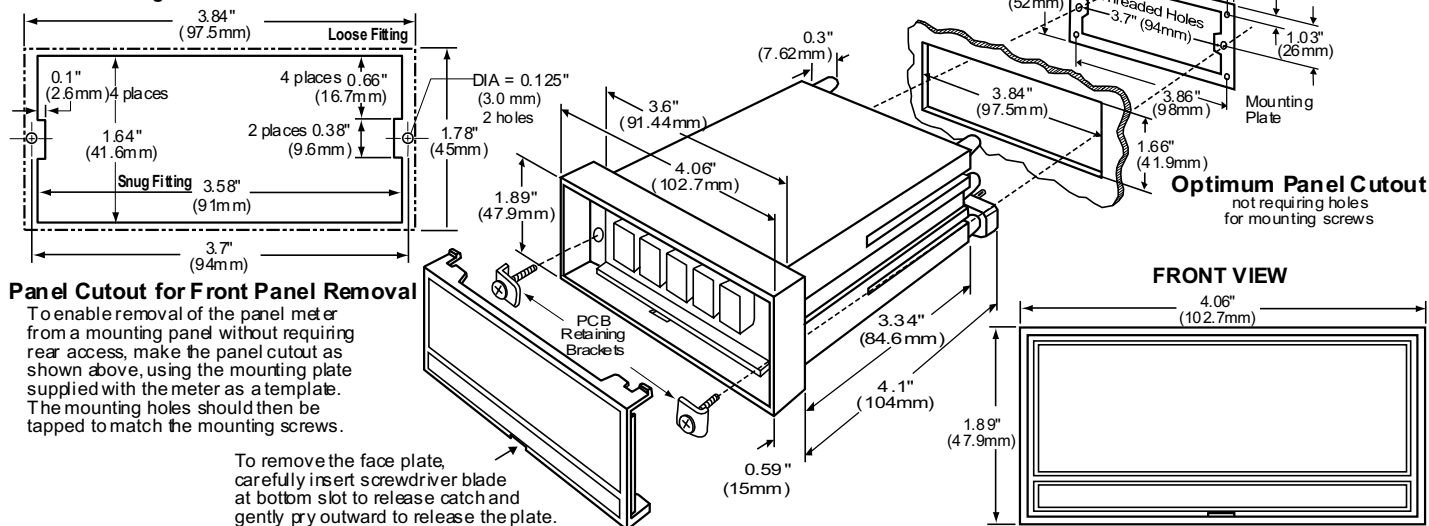
Products that use this case:

DVM-5/CL, DVM-5, DVM-5RTD

NEMA Case Dimensions and Panel Cutouts

This NEMA Case will fit any existing cutout with dimensions that are between the Snug and Loose Fitting dimensions shown below.

For new installations see Optimum Panel Cutout or Panel Cutout for Front Panel Removal



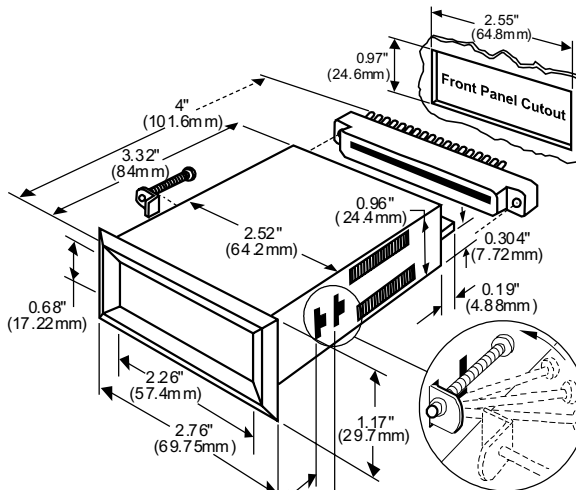
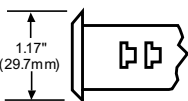
Slim Bezel Case Dimensions and Panel Cutouts

The Slim Bezel Case is supplied as standard. If specified at time of ordering, any combination of Twin Mounting and Multiple Array Cases may be substituted at no additional cost. Extra cases may be ordered separately.

STANDARD SLIM BEZEL CASE



SLIM BEZEL CASE
Standard Black ABS case with matte finish bezel for single unit mounting. Part No. **SL-CASERED** for LED's **SL-CASECLR** for LCD's

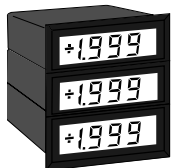
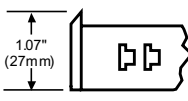


Insert dipm through cutout hole from front of panel. Attach mounting brackets and screws as shown, using second slot when panel thickness is greater than 1/4 inch. Tighten screws against rear of panel.

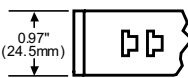
OPTIONAL TWIN MOUNTING OR MULTIPLE ARRAY CASES



END MOUNT CASE
Same styling as Slim Bezel case but with bottom edge of bezel removed. Two End Mount cases can be twin mounted in a single cutout. Part No. **EM-CASERED** for LED's **EM-CASECLR** for LCD's



CENTER MOUNT CASE
Any number of Center Mount cases may be fitted between two End Mount cases for multiple arrays. Part No. **CM-CASERED** for LED's **CM-CASECLR** for LCD's



Mini-Meter Case Dimensions and Panel Cutouts

