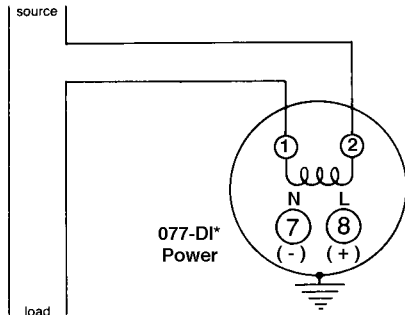


Switchboard Meters Connection Diagrams 70 & DI Series

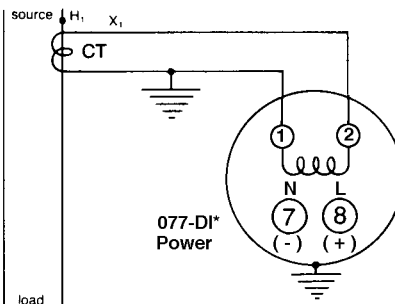
B
28

Figure 1 Models 077-05F, 079-05



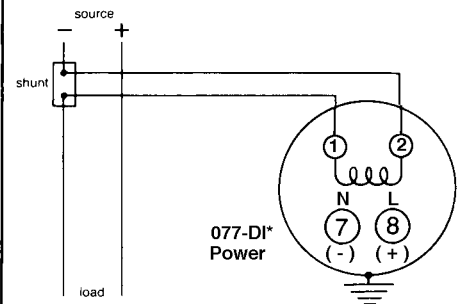
AC Direct-Connected Ammeter

Figure 2 Models 077-05F, 079-05



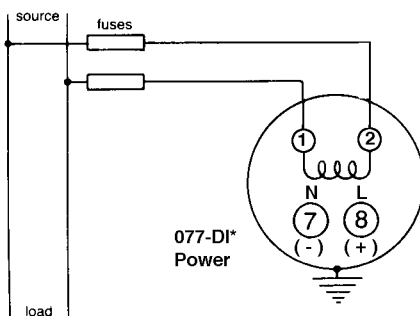
CT Operated AC Ammeter

Figure 3 Models 077-05, 078-05, 079-05



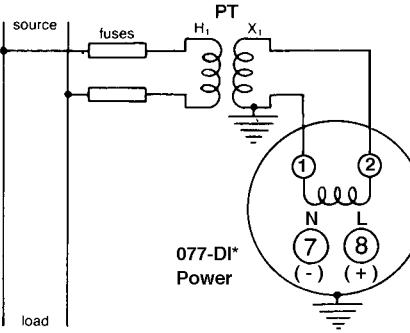
DC Ammeter Indicator with external shunt

Figure 4 Models 077-05G, 079-05



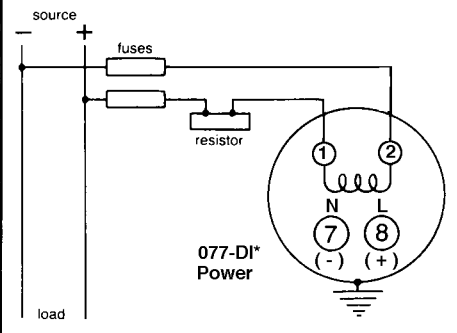
AC Direct-Connected Voltmeter

Figure 5 Models 077-05G, 079-05



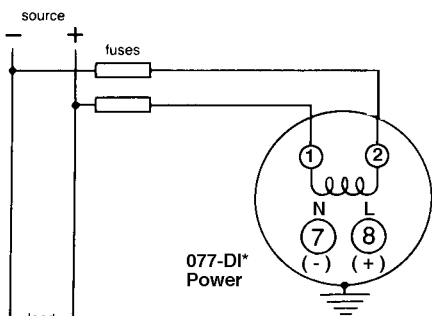
PT Operated AC Voltmeter

Figure 6 Models 077-05, 078-05, 079-05



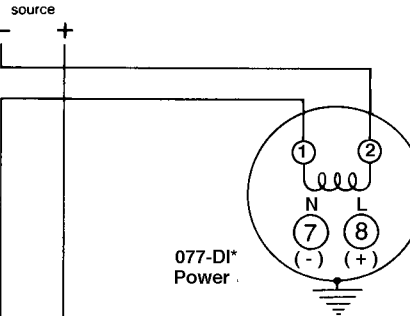
DC Voltmeter, over 750V with external resistor

Figure 7 Models 077-05, 078-05, 079-05



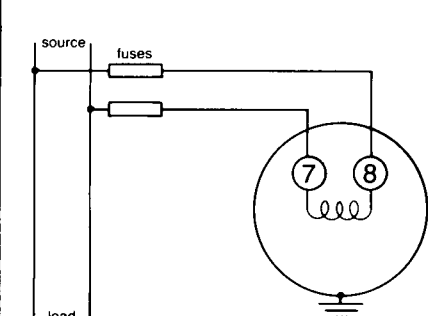
DC Direct-Connected Voltmeter

Figure 8 Models 077-05, 078-05, 079-05



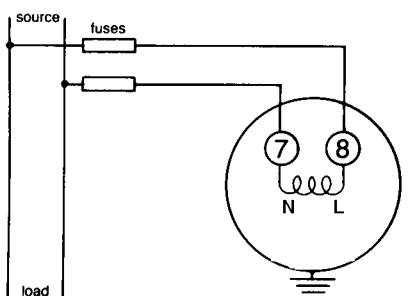
DC Self-Contained Ammeter

Figure 9 Model 077-15



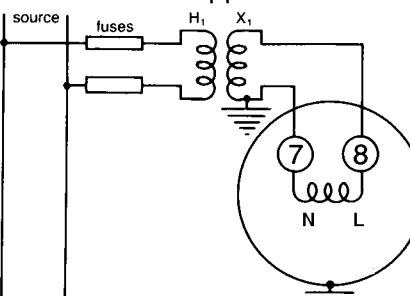
Elapsed Time Meter

Figure 10 Models 077-41L, 078-41L, 079-41L, 077-DZL



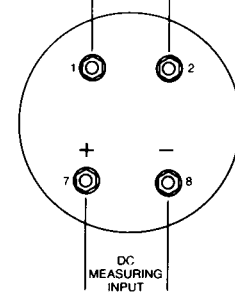
Direct-Connected Frequency Meter

Figure 11 Models 077-41L, 078-41L, 079-41L, 077-DZL



PT Operated Frequency Meter

Figure 12 Models 077-KHAU, 078-KHAJ



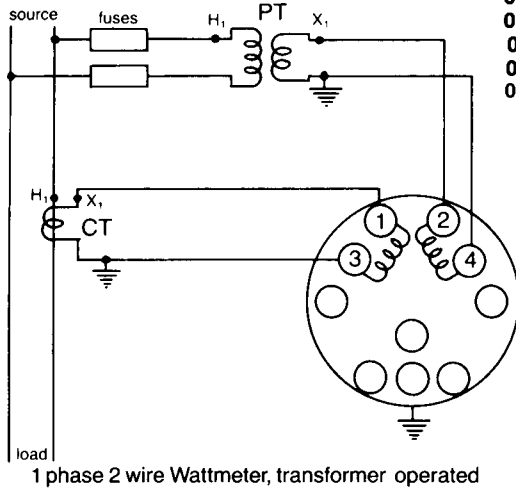
Kilowatt/Kilowatt Hour Meter for use with external watt transducer

* Optional external decimal point select terminal 3 - common, 10 - 1.999, 12 - 19.99, 4-199.9



Switchboard Meters Connection Diagrams 70 & DI Series

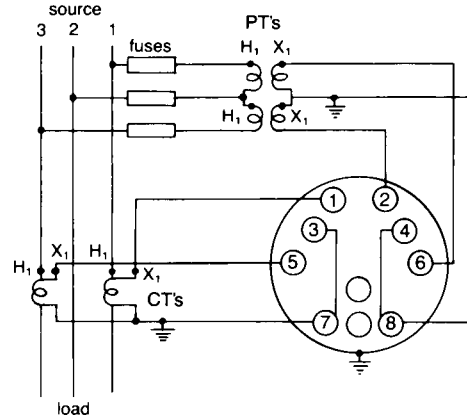
Figure 13



Models 077-215
078-215
079-215
077-KH
078-KH
077-DW5

1 phase 2 wire Wattmeter, transformer operated

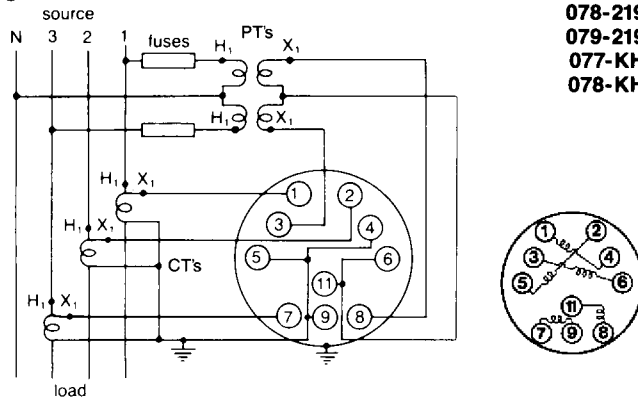
Figure 14



Models 077-218
078-218
079-218
077-31L
078-31L
079-31L
077-KH
078-KH
077-DXL
077-DW8
077-TFU

Wattmeter/Varmeter with two current circuits for 3 phase 3 wire transformer-operated.
Model 077-218 (WATT) Model 077-31L (VAR with internal phase shifter)

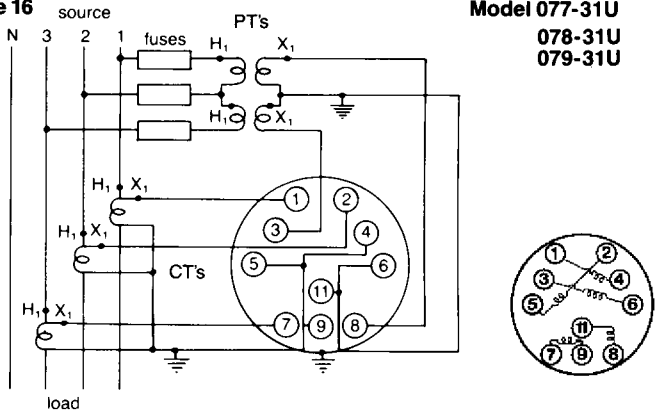
Figure 15



Models 077-219
078-219
079-219
077-KH
078-KH

Wattmeter with three current circuits for 3-phase 4-wire system. Transformer operated.

Figure 16

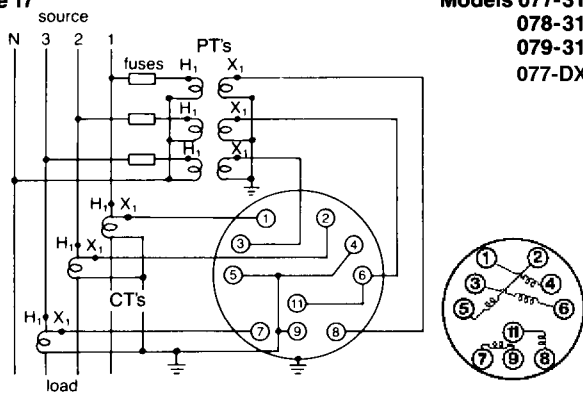


Model 077-31U
078-31U
079-31U

Varmeter with three current circuits for 3-phase 3-wire system. Transformer operated without phase shifter.

Alternative connections when 3-phase 4-wire wattmeters, and 3-phase 4-wire varmeters without phase shifting transformer are connected in the same circuit.

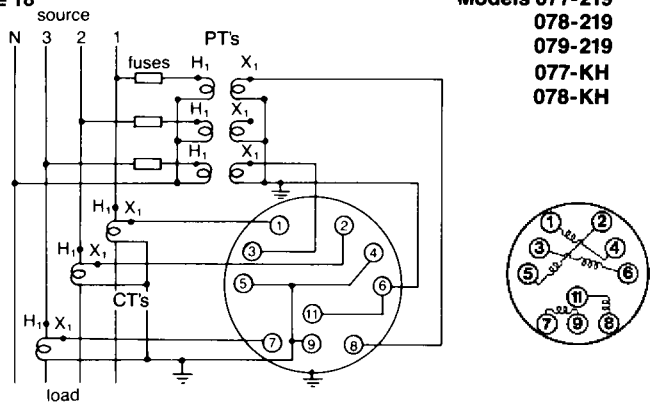
Figure 17



Models 077-31U
078-31U
079-31U
077-DXU

Varmeter with three current circuits for 3 phase 4 wire system. Transformer operated without phase shifting transformer
NOTE: If transformer's secondary voltage is 120V L-N Varmeter should be rated 208 volts.

Figure 18



Models 077-219
078-219
079-219
077-KH
078-KH

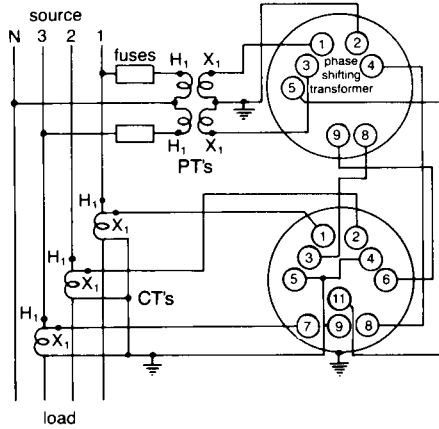
Wattmeter with three current circuits for 3 phase 4 wire system. Transformer operated.
NOTE: If transformer's secondary voltage is 120V L-N Wattmeter should be rated 120 volts.



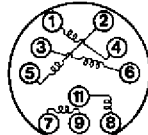
Switchboard Meters Connection Diagrams 70 & DI Series

B
30

Figure 19

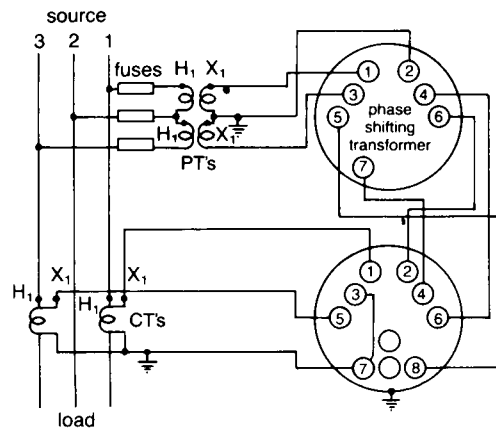


Models 077-219
078-219
079-219

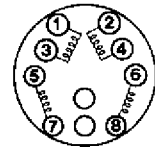


Double element Varmeter with three current circuits for 3-phase 4-wire system transformer-operated. For use with Phase Shifter 855-957

Figure 20

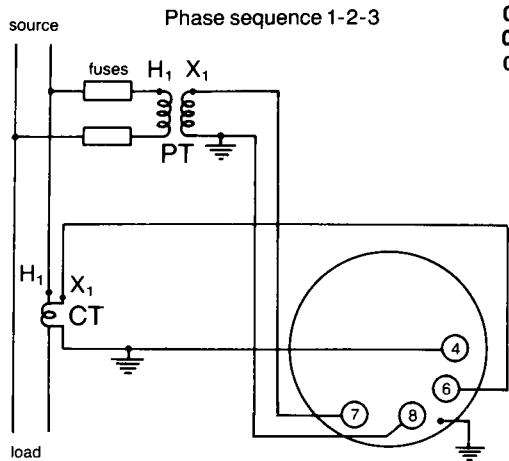


Models 077-218
078-218
079-218



Double element Varmeter with two current circuits for 3 phase 3 wire system transformer operated. For use with Phase Shifter 855-956

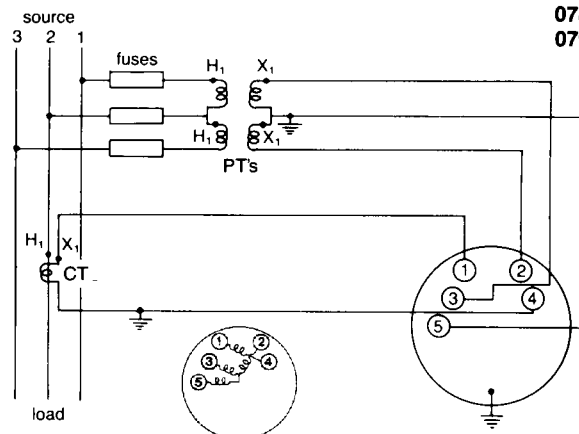
Figure 21



Models 077-425
078-425
079-425
077-DP5

Single phase transformer-operated Power Factor Meter

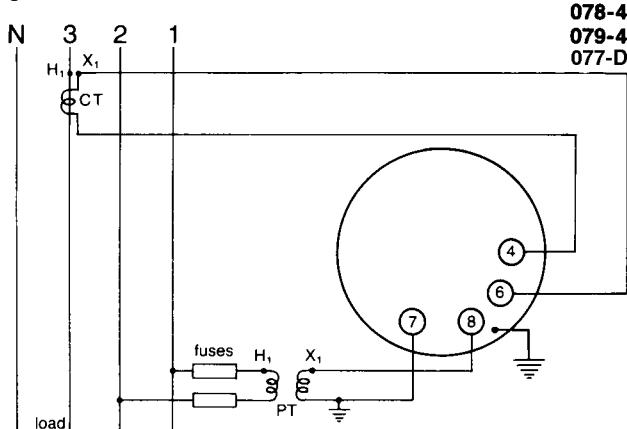
Figure 22



Models 077-132
078-132
079-132

Power Factor Indicator
3 phase 3 wire transformer operated

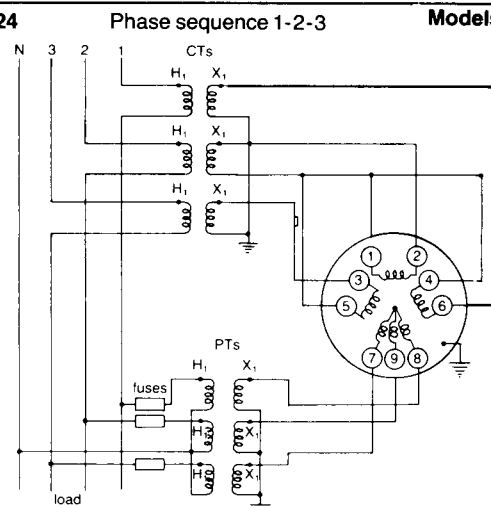
Figure 23



Models 077-427
078-427
079-427
077-DP7

Power Factor Indicator
3 phase, 3 or 4 wire Balanced Load

Figure 24



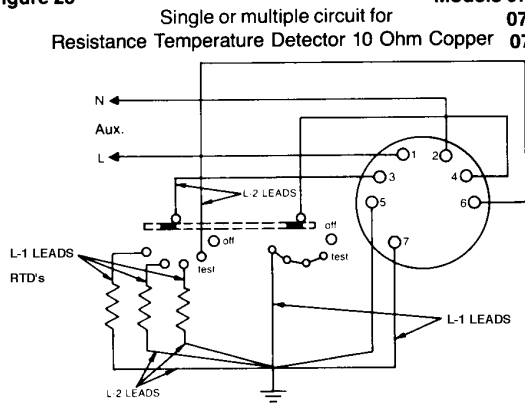
Models 077-136
078-136
079-136

Power Factor Indicator 3 phase, 4 wire Unbalanced Load



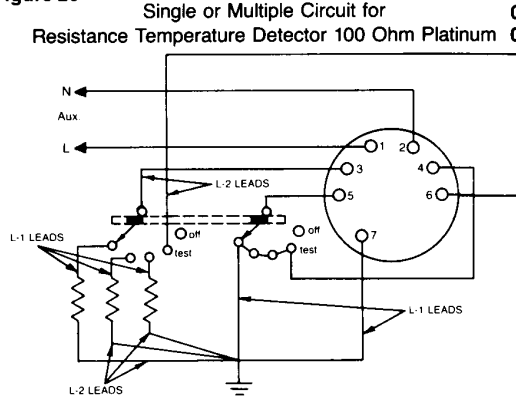
Switchboard Meters Connection Diagrams 70 & DI Series

Figure 25 Models 077-45RA
078-45RA
079-45RA



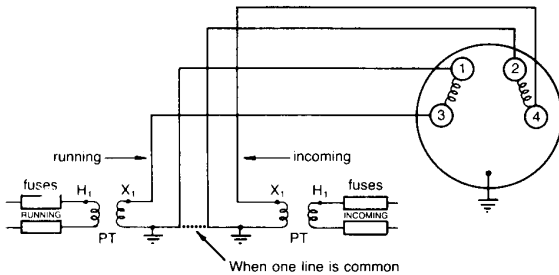
NOTE: All L-1 Leads must be within 0.02 ohms of the same resistance. L-1 leads should not exceed 3 ohms each. L-2 Leads should not exceed 0.02 ohms each.

Figure 26 Models 077-45RA
078-45RA
079-45RA



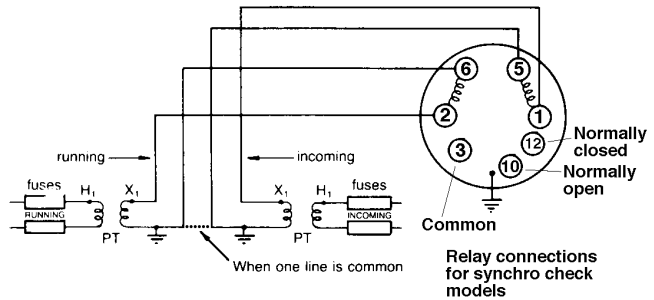
NOTE: All L-1 Leads must be within 0.02 ohms of the same resistance. L-1 Leads should not exceed 3 ohms each. L-2 Leads should not exceed 0.02 ohms each.

Figure 27 Models 077-14
078-14
079-14



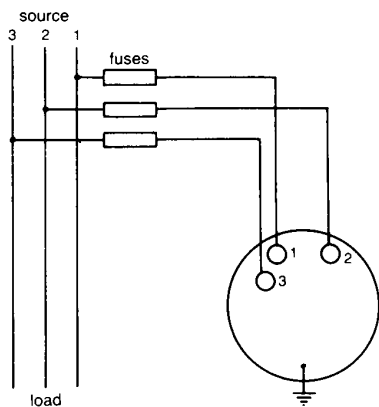
PT operated Rotary Synchroscope

Figure 30 Models 077-14A 077-14G
077-14L 077-14H
077-14D



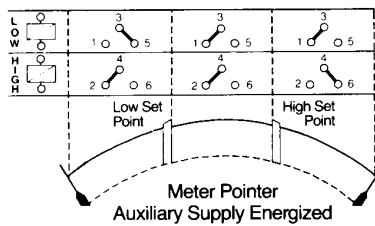
PT operated LED Synchroscope & Synchro Check Relay

Figure 28 Model 077-12



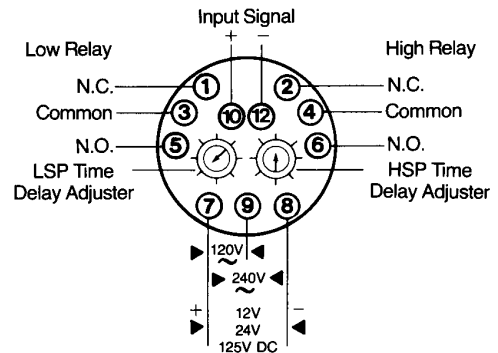
Phase Sequence Meter

Figure 29



Relay switch modes with input signals in zone indicated by meter pointer.

Model 077-30



Electronic Meter Relay

Type 077-DW9

