



## Energy Division

# Compact ANSI Switchboard Meter

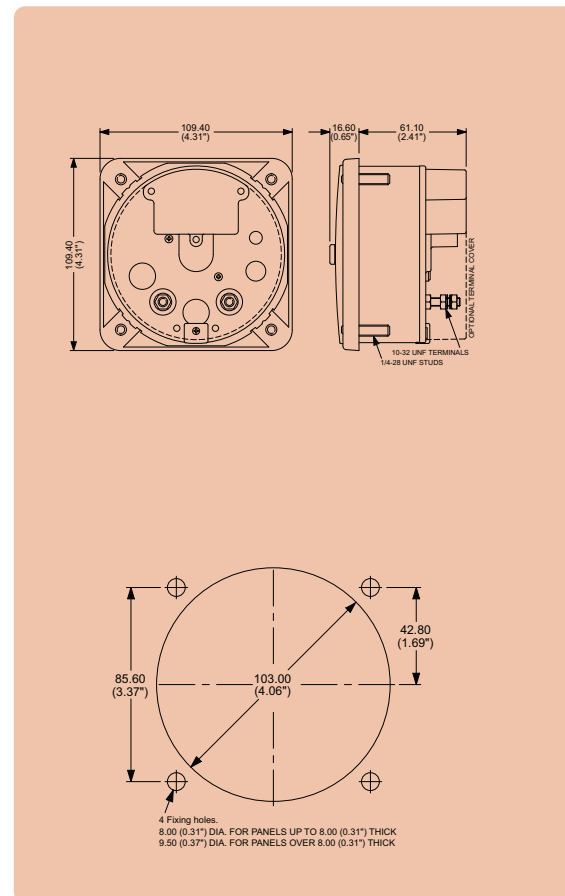
New Crompton Instruments compact ANSI switchboard meter offers Class 1 accuracy metering performance packed in a low profile, depth saving case. The range provides a reliable switchboard meter that combines Crompton Instruments taut band, long scale movement with easy installation and reliable performance of a traditional analog meter.

The product complements the 077 range of traditional Crompton Instruments ANSI switchboard meters and maintains the Class 1 accuracy and 240° scale.

The 4" inch meter complies with ANSI-C39.1 specifications.

## Specifications

Accuracy	Class 1
Specification	ANSI C39.1
Scale length	6.9" -179mm
Scale	240°
AC rms meters	30% 3rd harmonic influence <1.5%
Temperature range	32-140°F (0-60°C)
Temperature influence	0.033% °F typical (0.06% °C)
Terminal studs	10/32 UNF
Mounting studs	1/4" UNF
Overloads	1.2x continuous, AC current 20x for 1 second
Sealing	to IP 54 front of panel



MetersUSA  
Meters@MetersUSA.com  
www.MetersUSA.com

Our commit



### Accessories

The Compact ANSI Switchboard meter also comes with a range of accessories to compliment the product.

- Cable Clamp
- Terminal Cover
- Gasket

### Features

Low profile  
Class 1 accuracy  
Optional terminal cover  
Reliability  
Long scale 240°

### Benefits

Enhanced safety  
Reinforced insulation  
ANSI C39.1

### Applications

Switchgear  
Distribution systems  
Energy management  
Process control  
Building management

### Approvals

UL listed E200300 for  
USA and Canada

Model	Function
007-05FA	AC rms reading ammeter, linear scale, left zero
007-05GA	AC rms reading voltmeter, linear scale, left zero
007-05VA	DC voltmeter, left zero
007-05AA	DC milliammeter/millivoltmeter, left zero
007-50CA	DC milliammeter/millivoltmeter, centre zero
007-05RA	DC milliammeter, suppressed zero (4/20mA etc)
007-055A	DC transducer indicator, scaled watts
007-056A	DC transducer indicator, scaled var

007-05GA-PZPZ-C7

### Input Range Coding

(Popular codes only - other options available)

Code	Range	Code	Range
LA	0-1A rms	EA	0-200uA
LS	0-5A rms	FA	0-1mA
MT	0-10A rms	HF	0-20mA
PZ	0-150V rms	EY	0-50mV/4mA
RS	0-250V rms	EA	100-0-100uA
RX	0-300V rms	FG	1-0-1mA
SJ	0-600V rms	GB	50-0-50mV
Z4	0-10V DC	GM	100-0-100mV
NL	0-30 VDC	ZC	200-0-200mV
PZ	0-150V DC	FA	0-1mA
RX	0-300V DC	HG	4-20mA
		Z4	0-10V

### How to order

To order an equivalent for a 077 type meter, order exactly the same code, except replace 077 with 007.

E.g.: 077-05FA-LSPK-C7 is 0-5A electrical scale, 0-100A dial AC ammeter, 50-60Hz.  
007-05FA-LSPK-C7 provides identical specification in compact body style

MetersUSA

Meters@MetersUSA.com

www.MetersUSA.com