

DigitANTM - EM 6400 Series



- Digital & Analog ■ Compact ■ Smart
- Global; CE, UL marks ■ Universal

Benefits

Models

This document is applicable :

All models - v03.02.12 EM 6433 & EM 6436 -

EM 6433

- Monitors active power & energy consumption, load current and Run hours in a single meter
- Displays Amps, Power simultaneously

'ConPAD' Setup Utility* (optional)

- A GUI based software tool for programming meters
- Downloadable from website on registration

*optional for meters with RS 485 port only

User Programmable

- Delta or Star (Wye)
- PT, CT Ratios Primary & Secondary

Applications


- Control Panels
- Motor Control Centers
- Power Distribution Panels
- Connection to Plant Monitoring & Control Systems
- Genset Panels
- Original Equipment Manufactures (OEMs)
- Building Management System

Rugged Construction

Confirms to:

- | | |
|-----------------------------------|----------------------------------|
| ■ Emission | : CISPR22 |
| ■ Fast Transient | : 4kV IEC 61000-4-4 |
| ■ Burst | : IEEE 62.41:1991 |
| ■ Surge withstand | : IEEE C37.90.1:2002 |
| ■ ESD | : IEC 61000-4-2 |
| ■ Impulse voltage | : 6kV, IEC 60060, 1.2/50 |
| ■ Safety Construction | : Self extinguishable VO plastic |
| ■ Protection against dust & water | : Front IP 51
Rear IP 40 |

Features

- Global: UL, C UL Listed, CE, C- Tick certified
- Accuracy Class 1.0
- True RMS, Accurate on Distorted waveforms
- Simultaneous sampling of Volts & Amps
- Low PT, CT burden
- Programmable CT, PT ratios
- Quick and easy installation
- Auto Scrolling
- Communication with PCs, PLCs, DCS through RS 485 Serial Port (Built-in for EM 6434 & optional for EM 6459, EM 6436, EM6433 & EM 6400)
- 10 year back-up of integrated data
- Turbo Key  for 'One Touch' operation and setup
- Measures 4 Quadrant Power & 2 Quadrant Energy (IE Optional measures 4 Quadrant Energy)
- CT Reversal:auto-correction for Energy Integration in star(wye) mode for EM 6436 & EM 6433
- Sealed dust - proof construction
- Touch safe terminals
- Easy set up through Front Panel keys

Display Features

- Patented Alpha numeric bright display
- Brilliant 3 line, 4 digit per line, (digit height 14mm) LED display with auto-scaling capability for Kilo, Mega, Giga)
- Password protection for setup parameters
- Default Display Page feature in EM6436 & EM 6433



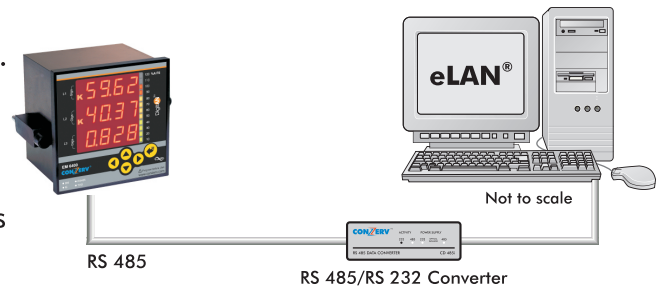
Digital Communication

RS 485 standard, communication capability using open Modbus RTU protocol. The meters can be multi-dropped using RS 485 twisted pair. The baud rate can be set from 1200 bps to 19200 bps. (Preferred settings is 9600 bps.) RS 485 Half duplex isolated serial channel connection.

BMS Compatible

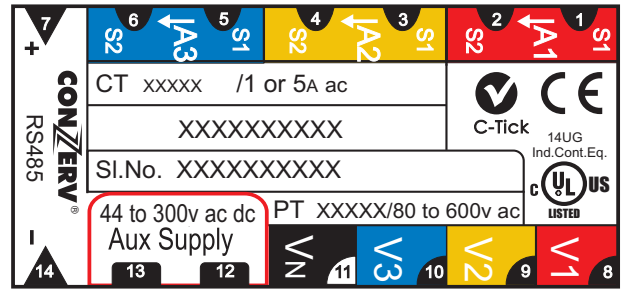
Access of either single (individual) parameter or block of parameters through RS 485 communication port. Integrates with Honeywell, DATS, Siemens Building Technologies and other BMS packages.

RS 485 Single Point Communication Modbus



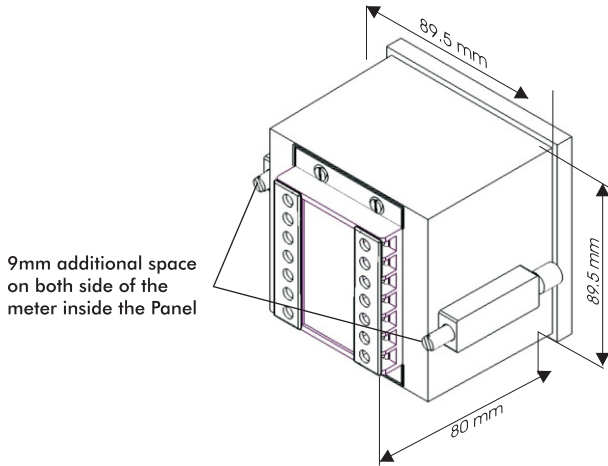
Colour Coded TB label

- Terminals are numbered, coloured and grouped such that defect free wiring is ensured



Dimensions

Bezel : 96 x 96 mm
 Depth : 80 mm behind Bezel
 Panel Cutout : $92^{+0.5}_0 \times 92^{+0.5}_0$ mm



Wiring Diagram

